

# STI Access Control Housings



STI-7515F



STI-7516A

SEE NOTE  
ON BACK

## PRODUCT OVERVIEW

These waterproof, multipurpose sealed housings mount to either a wall or pedestal and are ideal for a variety of access control equipment. Molded of thick polycarbonate material which is backed by a lifetime guarantee against breakage in normal use.

Housings are available in two depths. Backbox "A" provides 4.25 inches of depth and backbox "F" provides 2.0 inches of depth.

## HOW THEY WORK

The STI-7515 has four mounting tabs allowing it to be installed on a wall. It can be used as a multipurpose electrical enclosure, connection box, etc. The STI-7516 can be installed to a mounting pedestal and is ideal for a gate entry, call switch or any electrical device configuration.

## FEATURES

- Helps solve installation problems for a variety of access control equipment.
- Housings are water resistant to provide added protection for these important devices.
- Available in two depths.
- Mounting hardware is included.
- STI-7515 has four mounting tabs allowing it to be installed on a wall.
- STI-7516 is designed to be installed on a mounting pedestal and includes adapter plate (SUB-318).
- Typical working properties of polycarbonate are -40° to 250°F (-40° to 121°C).
- Lifetime guarantee against breakage of polycarbonate in normal use.

# STI Access Control Housings

Dimensions and Technical Information

## MODELS AVAILABLE

- STI-7515A** Housing, wall mount, "A" backbox
- STI-7515F** Housing, wall mount, "F" backbox
- STI-7516A** Housing, pedestal mount, adapter plate, "A" backbox
- STI-7516F** Housing, pedestal mount, adapter plate, "F" backbox

### Accessories

- SUB-318** Adapter plate used for mounting "A" or "F" backbox to pedestal

## WARRANTY

Lifetime guarantee against breakage of polycarbonate in normal use.

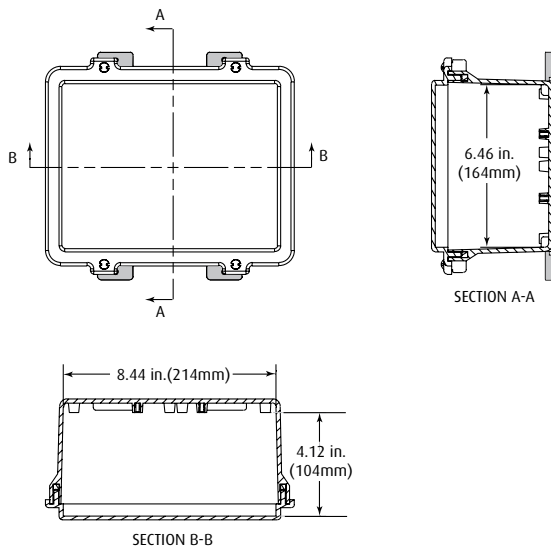
### NOTE:

Housings do not include pedestal.  
For information on pedestal, see STI-9779 spec sheet.

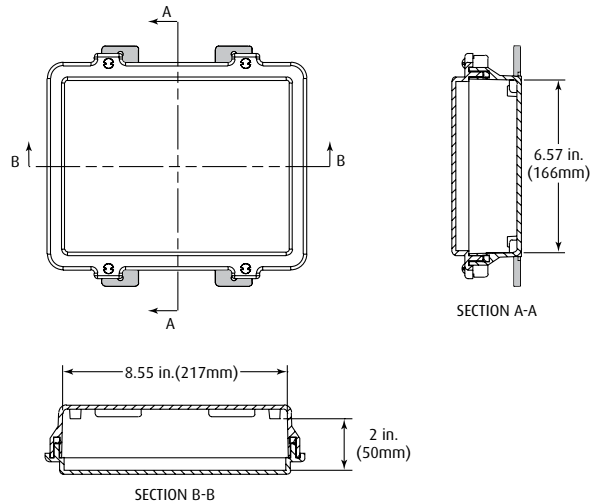
The shaded areas represent the mounting tabs (included with STI-7515 only) for wall installation

	H	W	D
STI-7515A	6.46 in.(164mm)	8.44 in.(214mm)	4.12 in.(104mm)
STI-7515F	6.57 in.(166mm)	8.55 in.(217mm)	2 in.(50mm)

## A MODELS



## F MODELS



**Safety Technology International, Inc.**

2306 Airport Road  
Waterford, Michigan  
48327, USA

Tel: 248-673-9898  
Fax: 248-673-1246  
Tollfree: 800-888-4784  
info@sti-usa.com  
www.sti-usa.com

Unit 49G Pipers Road  
Park Farm Industrial Estate  
Redditch, Worcestershire  
B98 0HU England

Tel: 44 (0) 1527 520 999  
Fax: 44 (0) 1527 501 999  
Free: 0800 085 1678 (UK)  
www.sti-europe.com