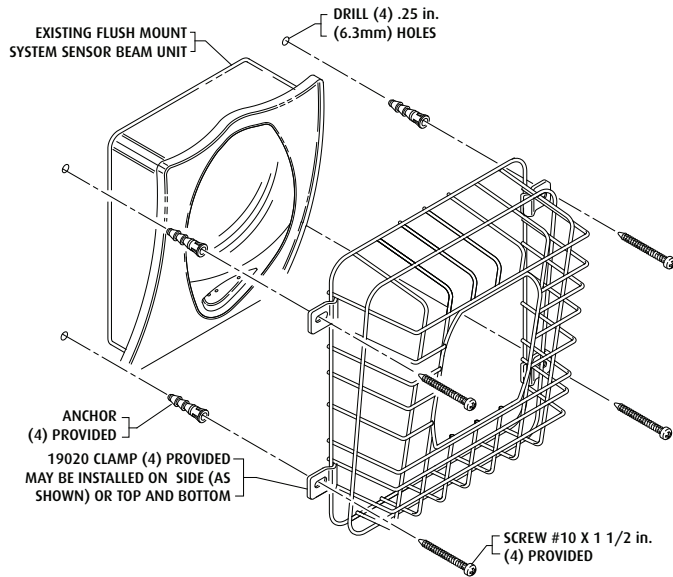


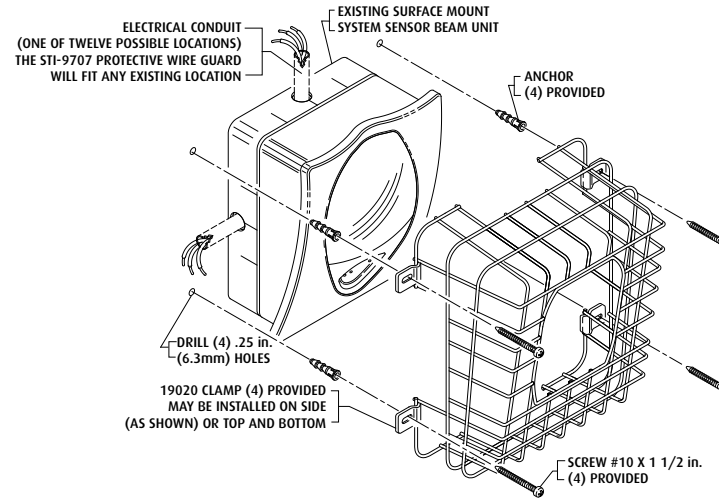


**Safety Technology International, Inc.**  
 2306 Airport Road • Waterford, Michigan 48327-1209  
 Phone: 248-673-9898 • Fax: 248-673-1246  
 Toll Free: 800-888-4784 • E-mail: info@sti-usa.com  
 Web: www.sti-usa.com

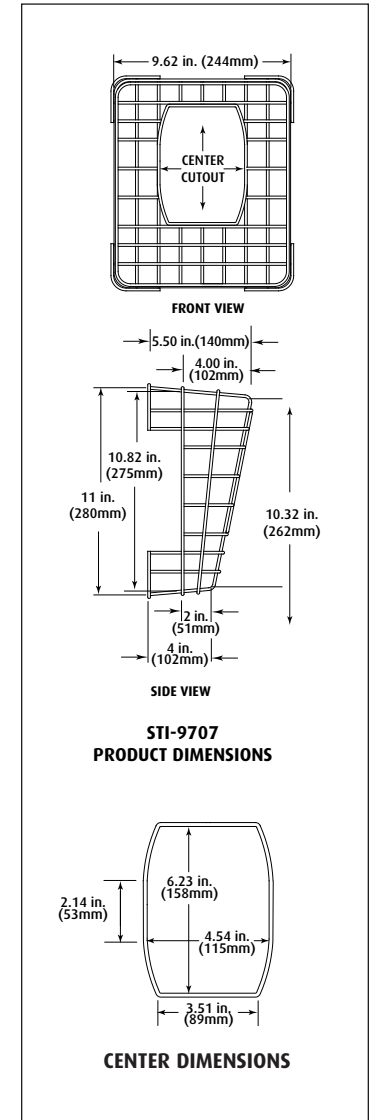
**Safety Technology International (Europe) Ltd.**  
 Unit 49G Pipers Road • Park Farm Industrial Estate • Redditch  
 Worcestershire • B98 0HU • England • Tel: 44 (0) 1527 520 999  
 Fax: 44 (0) 1527 501 999 • Freephone: 0800 085 1678 (UK only)  
 E-mail: info@sti-europe.com • Web: www.sti-europe.com



**STI-9706**



**STI-9707**



**IMPORTANT:**

Do not attempt to install reflective beam guard until both the transmitter and reflective mirror have been perfectly aligned and tested according to the System Sensor installation directions furnished with detector unit.

**INSTRUCTIONS:**

1. Center the wire guard over existing reflective beam housing making sure center cutout in wire guard is positioned over beam lens window.
2. Mark and drill (4) holes as shown in pictorial. The Beam Smoke Guard may be spray painted once prior to installation.

**SERVICE:**

1. Periodic cleaning of Beam Smoke Guard is required to prevent buildup of dust and other matter.
2. To service the System Sensor unit, back off the (4) screws, rotate clamps and carefully remove wire guard. When reinstalling wire guard, care must be taken not to hit or bump the reflective beam housing or misalignment may occur.

**INSTALLATION OF STI-9706/STI-9707 BEAM SMOKE GUARD**

All specifications and information shown were current as of publication, and are subject to change without notice.